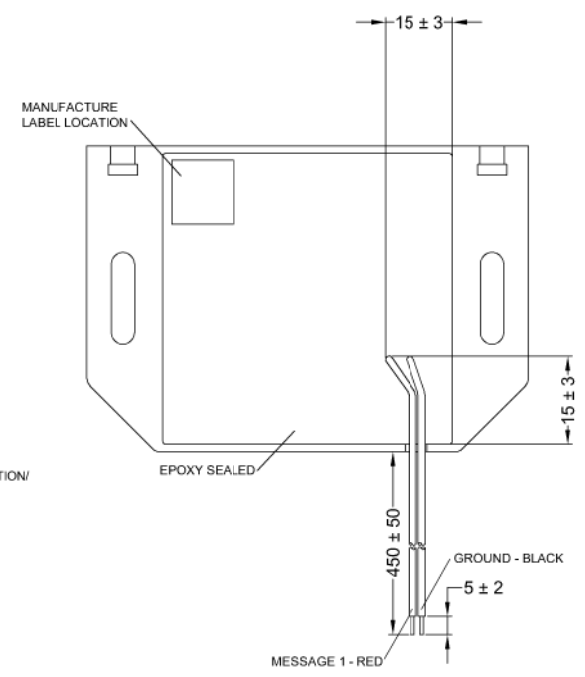
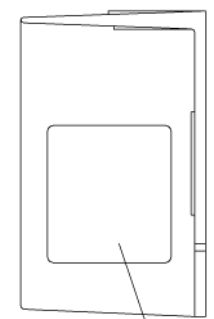
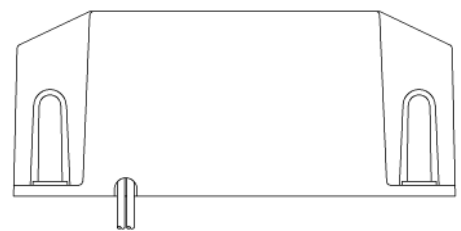
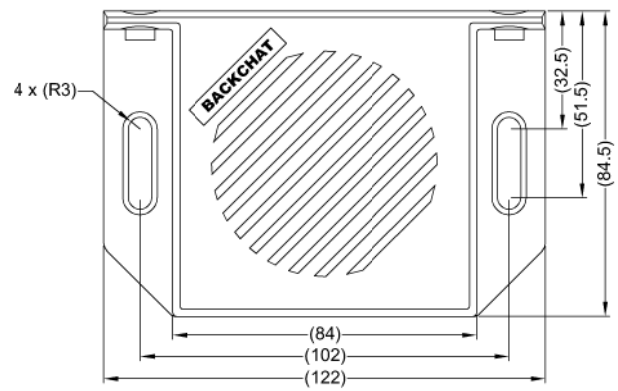
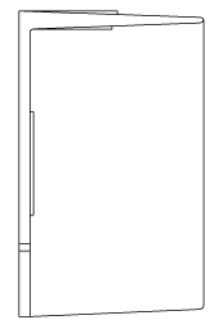
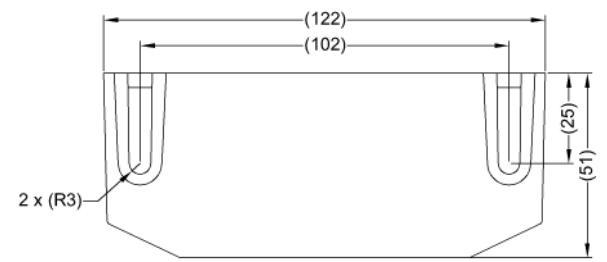


Revision Notes.				
R1 -				
APA: -	Drawn:-	Checked:-	Approved:-	Date: -



SPECIFICATION

RATED VOLTAGE: 12 AND 24 VOLTS DIRECT CURRENT (WORKING VOLTAGE RANGE 10 THRU 30 V VOLTS)
 RATED CURRENT: 0.5 AMPERES OR LESS
 SOUND PRESSURE: 90+4 DECIBELS AT TEST VOLTAGE OF 14 AND 28 VOLTS
 CABLE THICKNESS: ALL CABLES 24/0.2MM
 MESSAGE(S): "HANDBRAKE NOT APPLIED"
 MESSAGE LIBRARY NUMBER(S): M1106
 VOICE/ACCENT: MALE
 LANGUAGE: ENGLISH

NOTES:

1. MATERIAL: ABS PLASTIC - ULTRA VIOLET STABILIZED
2. FOR PACKAGING AND LABELING DETAIL REFER TO LATEST VERSION OF MASTER BOM.
3. 2 X M6 X25 BOLTS, 2 X M6 FLAT WASHER & 2 X M6 NUTS ARE SUPPLIED IN A PRESS SEAL BAG IN THE BOX.
4. POWER & MESSAGE CABLE LENGTHS ARE MEASURED FROM CABLE ENTRY POINT ON HOUSING.

PROPRIETARY NOTICE

THIS DESIGN AND TECHNICAL INFORMATION APPEARING ON THIS DRAWING IS THE PROPERTY OF BRIGADE ELECTRONICS, AND IS DISCLOSED IN CONFIDENCE. IT IS NOT TO BE COPIED, REPRODUCED, REVEALED TO OR EXPROPRIATED BY OTHERS, EITHER IN WHOLE OR IN PART WITHOUT THE EXPRESS WRITTEN CONSENT OF BRIGADE ELECTRONICS.



Assembly PI Approval A.HEDDLE	Approved by B.JOHN	Checked by W.SINDEN	Drawn by J.STEWART
Angle of Projection 	Units mm	Scale N/A	Released 16/09/19
Status RELEASED	Assembly Ref BC-01 (H-BRAKE)		
Part No 0849A	BE-004179-00-19		